



# Metal Work



**maani** METALFORM  
CONSTRUCTION

Al Qiadiyah Engineering Industries Co.

## Table of Contents

|   |    |
|---|----|
| <b>Introduction</b> .....                               | 3  |
| <b>Gates</b> .....                                      | 6  |
| <b>Steel Partition system</b> .....                     | 7  |
| <b>Curtain Wall, Door &amp; Partition Systems</b> ..... | 8  |
| <b>Decorative Steel Structures</b> .....                | 9  |
| False Ceilings .....                                    | 9  |
| Pavilion .....  | 9  |
| Pergolas.....   | 10 |
| Canopies and Awnings.....                               | 10 |
| Cage Partitions .....                                   | 10 |
| Steel Stairs .....                                      | 10 |
| <b>Railings</b> .....                                   | 11 |
| S.S Railing .....                                       | 11 |
| Glass Rails .....                                       | 11 |
| Guard Rails & Handrails .....                           | 12 |
| Kerbings   Bump Rails   Wall Guards .....               | 12 |
| Fences .....  | 13 |
| Window Rails .....                                      | 13 |
| <b>Ladders</b> .....                                    | 14 |
| S.S Ladders .....                                       | 14 |
| Removable Ladders .....                                 | 14 |
| Ladders with Safety Rails .....                         | 14 |
| Ladders with Cages .....                                | 14 |
| Ladders with Platforms .....                            | 14 |
| <b>Street Furniture</b> .....                           | 14 |
| Bollards.....   | 14 |
| Cycle Stands .....                                      | 14 |
| Tables & Tables Structures .....                        | 15 |
| Edging .....  | 15 |
| Seating & Benches.....                                  | 15 |
| Signages & Totems .....                                 | 16 |
| Street Poles.....                                       | 17 |
| Litter Bins .....                                       | 17 |
| CCTV Poles .....  | 17 |
| Studs & Strips .....                                    | 17 |
| Gratings.....   | 18 |
| Slot Drains & Manholes .....                            | 18 |
| Sump Pit Covers.....                                    | 18 |
| Trench Covers .....                                     | 18 |

## Table of Contents

|                                |    |
|--------------------------------|----|
| <b>Decoration</b> .....        | 19 |
| Plant Potss .....              | 19 |
| Sculptures.....                | 19 |
| Cladding.....                  | 20 |
| <b>Storage Solutions</b> ..... | 21 |
| Cabinets & Dispensers .....    | 21 |
| Shelves & Racking Systems..... | 22 |
| ATM Cabinets.....              | 22 |
| Boxes & Chests.....            | 22 |
| Chests of Drawers.....         | 22 |
| Trolleys.....                  | 22 |
| <b>List Of Projects</b> .....  | 23 |



## Introduction

A member of Maani Ventures, MetalForm is specialized in sheet metal fabrication with the capability of delivering a wide range of customized metal products. MetalForm is the leading and reliable choice for manipulating sheet metal: punching, bending and forming. Dedicated to serving A-Z needs of any building application, MetalForm is fast becoming a primary choice in the contracting, engineering and interior design communities.

Engineers and Industrialists trust MetalForm to produce the highest quality products such as durable fire-rated door assemblies and sturdy building facades. Our hollow metal doors and frames are certified by the American Underwriters Laboratories (UL).

We stand behind best-in-class finishing. That is why Architects and Designers choose MetalForm for the most convoluted and intricate interior and exterior metal fixtures imaginable.

Located in Amman (Jordan), MetalForm has a region wide reach serving the Middle East, North Africa and the Gulf. Our state-of-the-art machinery and experienced designers and engineers will exceed the expectations for all your metal forming needs. Choose MetalForm.



## Design

METALFORM products are designed by experienced engineers using state-of-the-art computer aided design technology.

Our advanced engineering division provides a full 3D mechanical modeling facility and enables us to produce working drawings and installation details exactly and efficiently.

## Fabrication

Our purpose built fabrication plant is one of the most modern of its kind in our industry and fully equipped to produce and finish the widest possible range of architectural metal products.

Our production line techniques combine highly skilled expertise from our workforce with computer controlled manufacturing to ensure consistency in high quality.

## Installation

Regardless of project size or geographical location, our installation teams are committed to getting the job done as quickly and as efficiently as possible.

Our installation engineers are highly trained and well experienced in dealing with problems that can arise on-site.

## Gates (Swinging & Sliding)

For over 15 years, maani Metalform have been producing top quality steel doors. Our doors have been utilized in a wide and diverse range of projects that suits all different requirements. And they fall under the following categories:

### Vehicle Gates



### Pedestrian Gates



## Steel Partition System

This section contains a range of partition and wall systems for use in new and existing buildings. They cover many applications. Fire rated Fixed Panels certified from Civil Defense.

- Fire rated Fixed Panels.
- Gypsum board.



## Curtain Wall, Door & Partition Systems

By providing a superior alternative to aluminum systems, Metalform can provide curtain walls, partitions and door systems in different kinds of steel; cold-rolled, galvanized & grade 304 or 316 stainless. Finishes vary from painted to bright or satin polished. Such systems can provide thermal or non-thermal break in addition to smoke & fire-rated characteristics.

### Doors & Windows with Thermal Break

Thermally insulated profile systems with fittings and accessories for single and double-leaf doors, windows, as well as for exterior glazed units.

### Doors & Windows without Thermal Break

This complete profile system with fittings and accessories for flush-fitting single- and double-leafed doors, glazed walls, porches and windows which do not require thermal break.

### Curtain Walls & Glazed Roofs

Our system offers an enormous variety of possible structural applications for constructions using glazed curtain walling.

The static properties of profiled steel tubular section also make these the optimal structural elements for curtain walling.

The slender visible widths of only 45 or 60 mm allow the construction of large-surface transparent facades in steel and stainless steel.

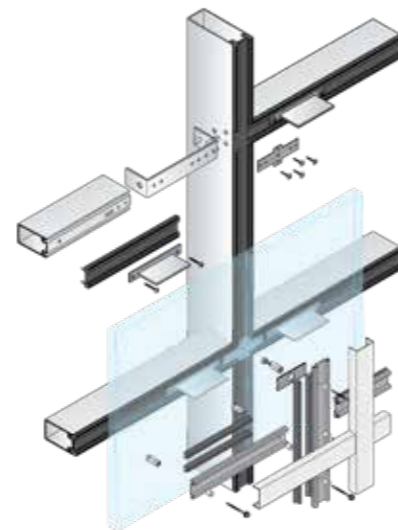
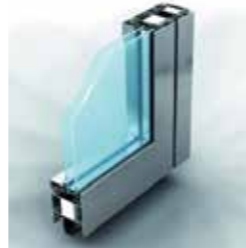
### Fire & Smoke Proof Systems

When it comes to fire and smoke proofing assemblies, MetalForm occupies a leading position.

By continuously updating & upgrading our accreditations, we will combine the latest tested solutions of glass & steel to meet your precise requirement.

### Types of Fire rated Glass certified from Civil Defense:

1. Schott Payran S
2. Technical Glass Products Firelite
3. Vetrotech – Saint-Gobain
4. Wired Glass



## Decorative Steel Structures

Providing you with multiple choices of heavy-duty structures, crafted from durable materials. Maani Metalform guarantees well isolated structures that are carefully analyzed by our technical team to ensure their safety.

### False Ceilings



### Pavilion



## Pergolas



## Canopies and Awnings

- Sandwich Panels.
- Aluminum.
- Wooden.



## Cage Partitions



## Steel Stairs



## Railings

Our safety structures are used to provide human lives, delicate surfaces and items with the protection needed. Designed by a professional team of engineers, our structures follow the highest safety measures and standards, while meeting the protection needs of each sector, type of operation or surface.

### S.S Railing



### Glass Rails



**Guard Rails & Handrails**



**Kerbings | Bump Rails | Wall Guards**



**Fences**



**Window Rails**



## Ladders

By Applying the highest safety factors and feature. Maani Metalform provides multiple solutions, sizes, and types of ladders to comply with your needs.

- S.S Ladders.
- Removable Ladders.
- Ladders with Safety Rails.
- Ladders with Cages.
- Ladders with Platforms.

## Street Furniture

Providing rigorously analyzed products and revised to withstand the test of time and the elements of the great outdoors. Our designs take into account aesthetics, visual identity, function, pedestrian mobility and road safety.

### Bollards

- Dome Top Bollard
- Slope Top Bollard
- Flat Bollard



### Cycle Stands



## Tables & Tables Structures



## Edging



## Seating & Benches





## Signages & Totems

Light Box



Totems



## Street Poles

Banners & Flag Poles



CCTV Poles



Studs & Strips



Signages



Litter Bins



## Gratings



## Slot Drains & Manholes



## Sump Pit Covers



## Trench Covers



## Decoration

From rigid all the way to delicate, we provide stunning designs are precise and accurate with the utmost attention to details. We conform to the highest manufacturing standards which will beautify your sites.

## Plant Pots



## Sculptures



**Kent**  
STAINLESS

**MERT DÖKÜM**

**DIMCAR**  
urban design

**GOLDEN**  
DESIGNS & MANUFACTURERS

## Cladding

- Single Skin.
- Perforated Sheets.
- Composite Panels.
- Welded Bars.



## Storage Solutions

Maani metalforms offers a wide range of storage solutions, from cabinets to trolleys and shelves. Using either stainless steel, galvanized steel, hot or cold rolled steel, heavy duty furniture is one of our main specialties.

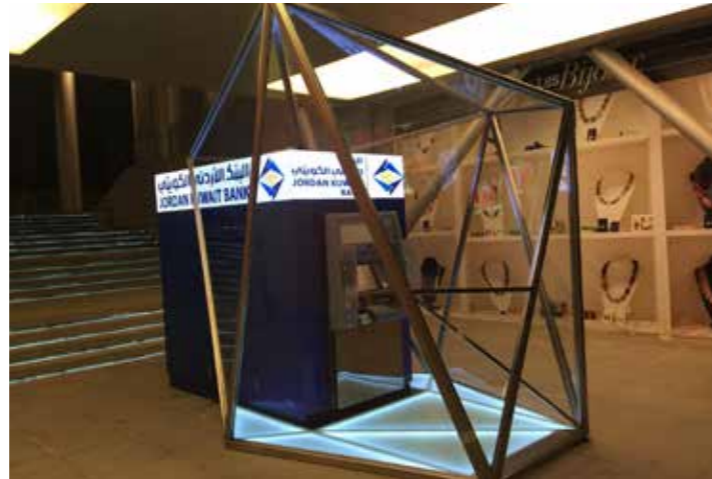
### Cabinets & Dispensers



Shelves & Racking Systems



ATM Cabinets



Boxes & Chests



Chests of Drawers



Trolleys





**Project:** The Ritz-Carlton Residences and Hotel.  
**Location:** Amman\_Jordan  
**Client:** Dar Al-Hadassah (Shair and Partners).  
**Scope:** Architectural metal works, Railings, Balustrade, Steel Doors, Ironmongery, Access Panel.



**Project:** Queen Rania Teacher Academy.  
**Location:** Amman\_Jordan  
**Client:** Haddadin Engineering Co. for Contracting.  
**Scope:** Architectural metal works, Railings, Steel Doors, Ironmongery, Access Panel.



**Project:** The Boulevard / Abdali Mall Consultant.  
**Location:** Amman\_Jordan  
**Client:** Arabtech Jerdaneh.  
**Scope:** Stainless Steel Furnishing, Pots, Cabinets, Turrets, Bins, Bollards, Bicycle Racks, Wire Mesh Trees, Cladding and Frames.



**Project:** Tareq Bus Station- Amman BRT  
**Location:** Jordan, Amman.  
**Client:** Haddadin Engineering Co for Contracting, Haddadinco.  
**Scope:** Architectural metal works; Balustrades, Railings, Steel Doors, Ironmongery, Access Panels.



**Project:** Basra Sports City.  
**Location:** Basra\_Iraq  
**Client:** Eng. Abdullah A. Al Jiburi General Contracting Co.  
**Scope:** Door works; metal, wood, glass, bronze, Aluminum, Ironmongery and Misc. metal works; custom pre-weathered cladding, stainless, painted & galvanized railings & ladders.



**Project:** Haramain High Speed Railway - Makkah Station.  
**Location:** Makkah \_Saudi Arabia.  
**Client:** Saudi Bin Laden Group.  
**Scope:** Doors, Frames & Fixed Panels.



**Project:** Jabal Omar Development Project – Phase 3.  
**Location:** Makkah \_KSA.  
**Client:** JV – Arabian Construction Co. – Drake & Scull Construction.  
**Scope:** Misc. Metal Works; Railings, Ladders, Gratings & Coping, Steel Helipad.



**Project:** Grand Millennium Al Seef Basra Hotel.  
**Location:** Basra\_Iraq.  
**Client:** AL Muhsen Group.  
**Scope:** Steel doors, frames & ironmongery, stainless steel railing, ballistic doors.

**NOTES:**



**Project:** Saraya Aqaba.  
**Location:** Aqaba\_Jordan  
**Client:** Joint Venture 'CCC/DSC/ATC JV'.  
**Scope:** Architectural metal works; Balustrades, Railings, Steel Doors, Ironmongery, Access Panels.



**Project:** Ayla Hyatt Regency and Souk Hotels.  
**Location:** Aqaba\_Jordan  
**Client:** ATCCO.  
**Scope:** Perforated Screens, Steel Doors, Ironmongery & Access Panels.



**Project:** Rosary School - Irbid.  
**Location:** Jordan, Irbid.  
**Client:** Haddadin Engineering Co for Contracting, Haddadinco.  
**Scope:** Architectural metal works; Balustrades, Railings, Steel Doors, Ironmongery, Access Panels.



**Project:** Queen Alia International Airport Phase.  
**Location:** Amman\_Jordan.  
**Client:** Joannou & Paraskevaides (overseas) Ltd. & J&P AVAX S.A.  
**Consultant:** Foster & Partners.  
**Scope:** Steel Doors, Ironmongery, Stainless Steel Cabinets, Corner Trims, Interior Cladding System, Metal Fit-outs.

Lined area for notes, consisting of approximately 30 horizontal dashed lines.



**Al Qiadiyah Engineering Industries Co.**  
P.O.Box 927161, Amman 11190 Jordan  
T +962 (6) 402 24 03 | F +962 (6) 402 24 06  
[www.maani.com](http://www.maani.com)