



# Teacher Furniture

Teaching walls can be customized according to your space



## CLASSROOM FURNITURE Teachers Tables



Top Size	Table Frame	
	Fixed Frame	Height Adjustable Frame
		
W120 x D60 cm	4208	-
W140 x D60 cm	4209	-
W76 x D60 cm	-	SL12

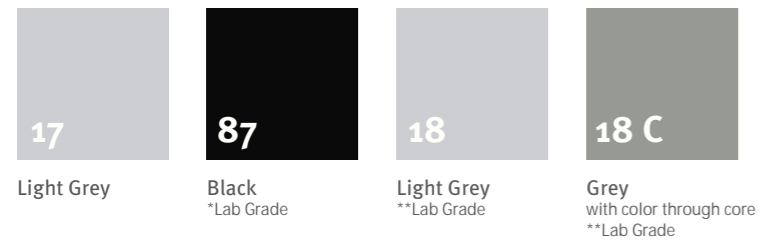
\*Teacher table comes complete with fixing screws & cover caps, optional features can be added.

Table Options			
Drawers Unit	4210	✓	-
Metal Front Panel	4212	✓	-
Wooden Front Panel	4213	✓	-
Tablet Holder	THPL	✓	✓
CPU Holder	CPUH	✓	-
Metal Basket	MBT	-	✓
Hanging Hook	HHT	-	✓

\*For color options, refer to pages 70-71.

# COLOR SELECTION

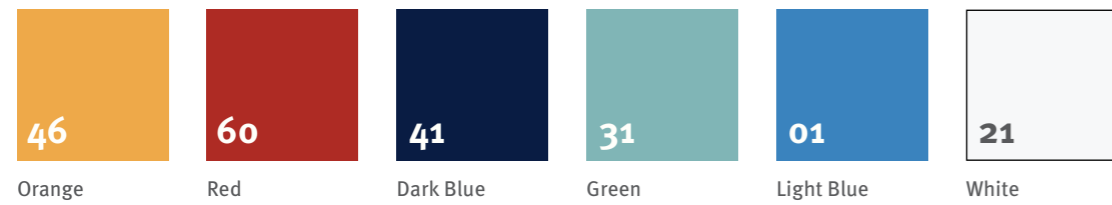
## Student Table Top



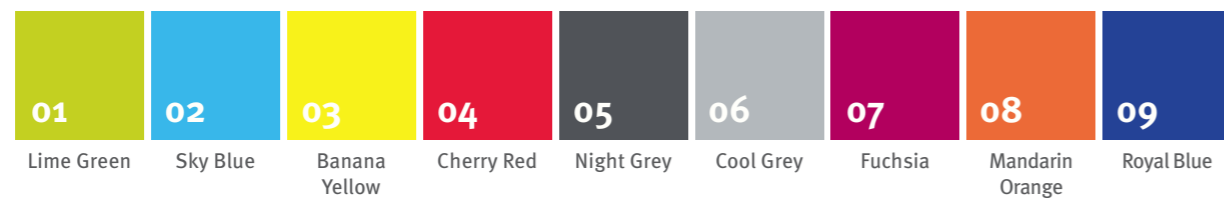
## Standard Metal Frame



## Metal Frame Colors by order



## Seat Colors

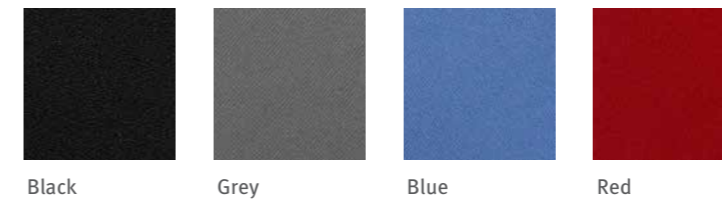


	01	02	03	04	05	06	07	08	09
<b>K</b> KG	✓	✓	✓	✓		✓	✓		
<b>E</b> Class 1-2	✓	✓	✓	✓		✓	✓	✓	✓
<b>L</b> Class 3-4	✓	✓	✓	✓	✓	✓	✓	✓	✓
<b>S</b> Class 5++	✓	✓	✓	✓	✓	✓	✓	✓	✓
<b>S</b> EN-ONE	✓		✓		✓				✓

This **COLOR LIST** is just an indication; some slight variation may occur due to the limitation of the print process.

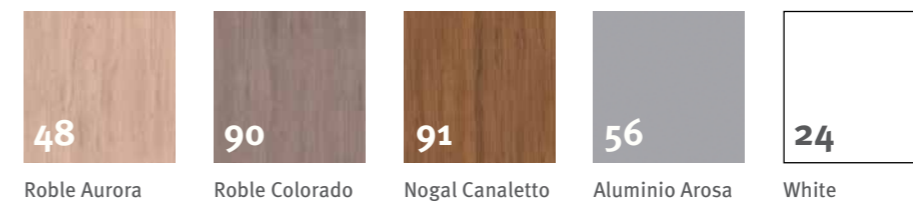
# COLOR SELECTION

## Fabric Colors

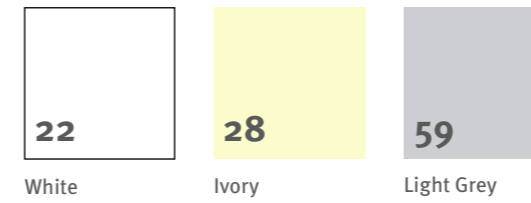
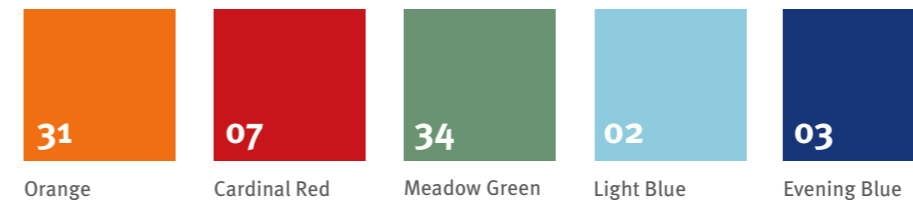


## Wood Colors

### Superpan Decor



### HPL



This **COLOR LIST** is just an indication; some slight variation may occur due to the limitation of the print process.